

Specification Sheet UNI520 Padlock Seal

The **UNI520 Padlock Seal** is an all-in-one moulded security seal, with convenient design for **one-handed application**. It can be used as an inexpensive security solution for sealing all manner of carts and trolleys, particularly suited to **hospital** and **airline** applications.

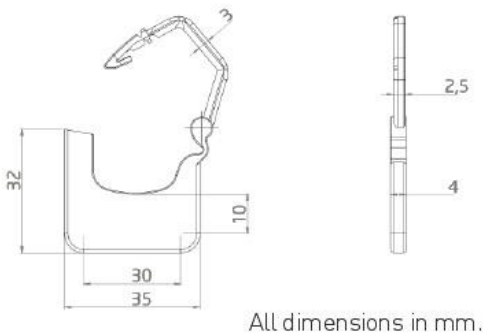
Free movement in the locking mechanism once sealed allows the user to **verify the integrity** of the seal easily, preventing illegitimate attempts to conceal tampering by way of gluing the seal once opened. Seals are moulded in mats of 10pcs for **sequential distribution**.



Applications

Carts and trolleys (such as airline trolleys), storage cupboards, and all types of medical/hospital enclosures – such as emergency access kits, drug bags etc

Technical Drawing



Breaking Strength

10 KgF

Material

Polypropylene (PP)

Available Colours

White, pastel green, pastel blue, pastel yellow and pastel red

Customisation Options

Laser-printing: Company logo, up to 8-digit sequential numbering, and optional barcoding (128, Interleave 2/5 as required)

Packaging

Mats of 10pcs
Quantity: 3,000pcs / carton
Carton Dim: 25x44x48cm (6.2kg)
Pallet info: 150,000pcs on a pallet
(90x120x255cm)